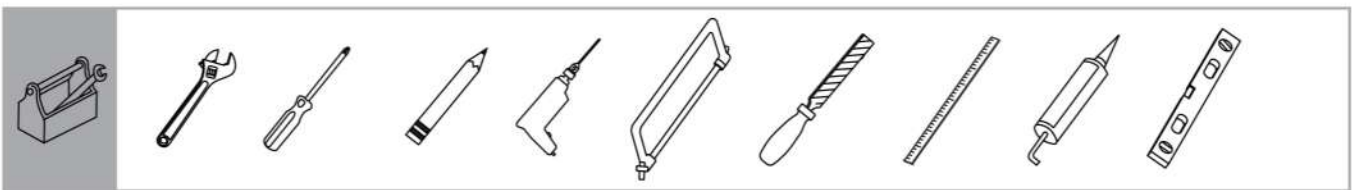
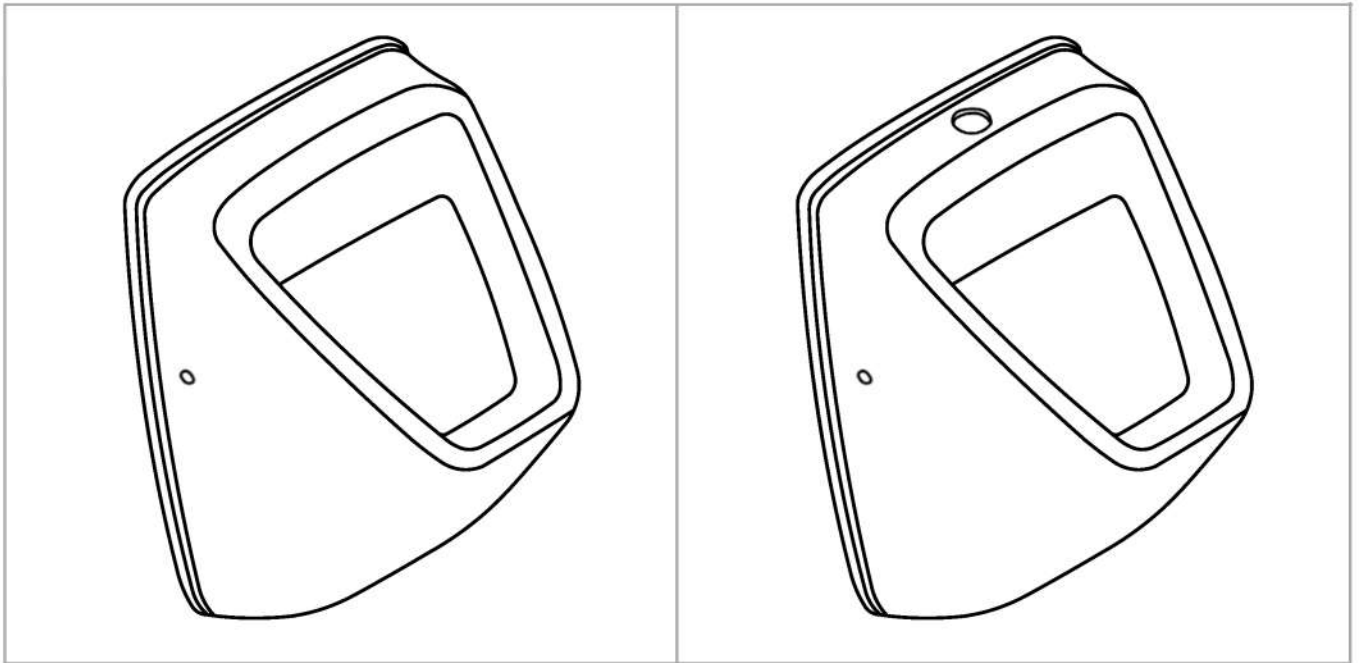


# Lecico

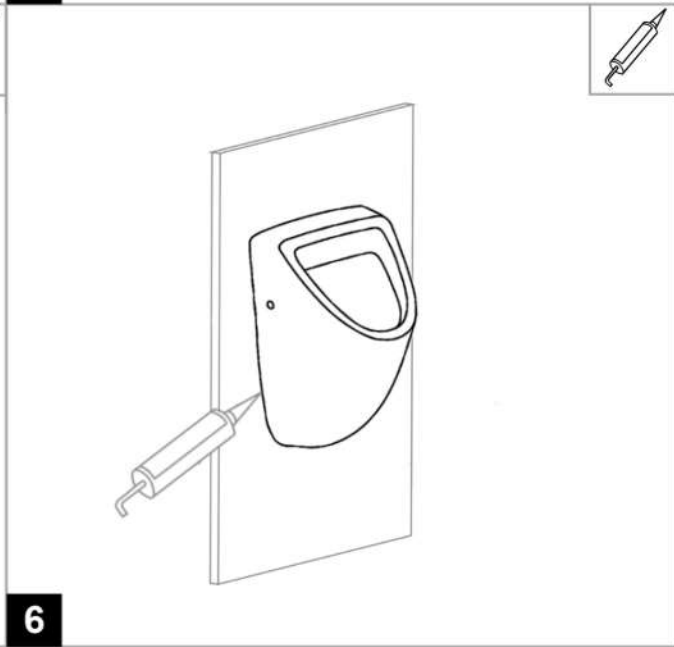
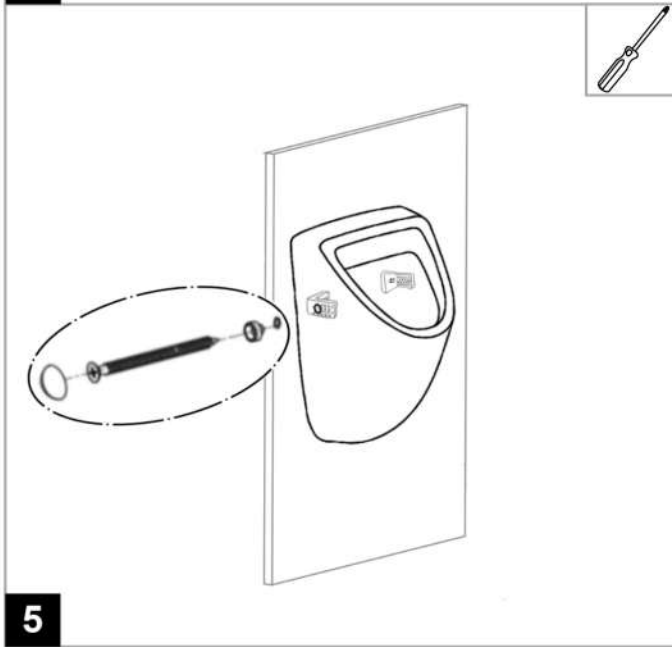
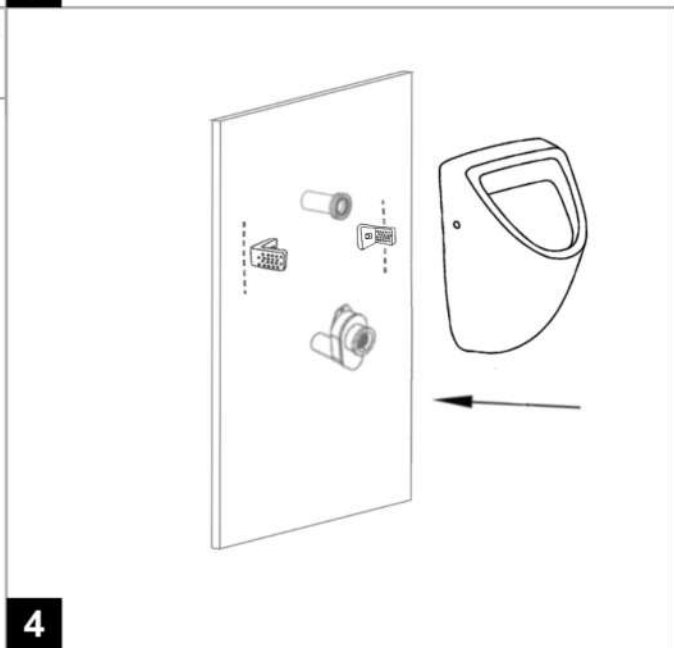
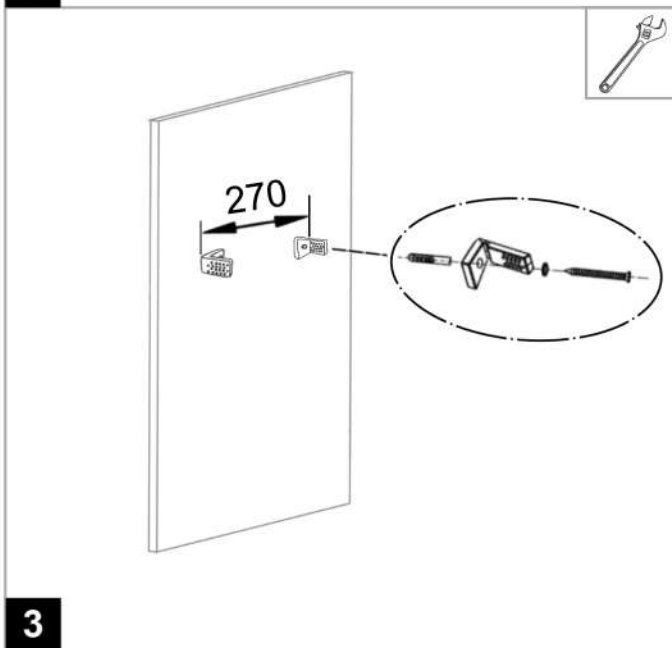
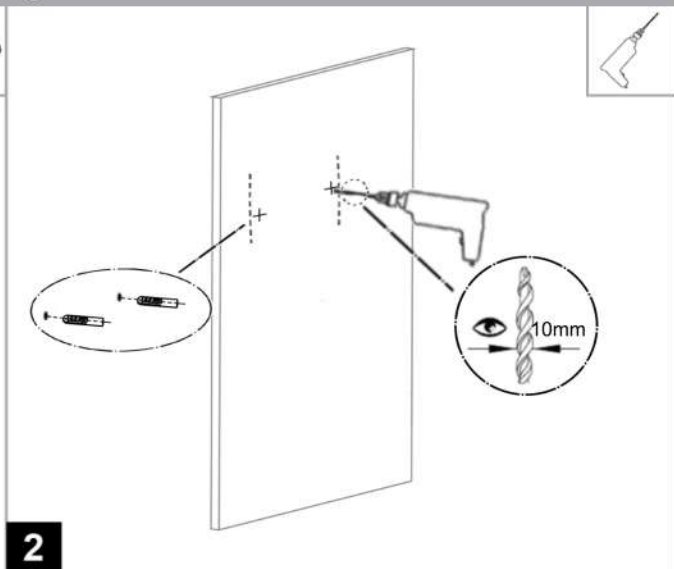
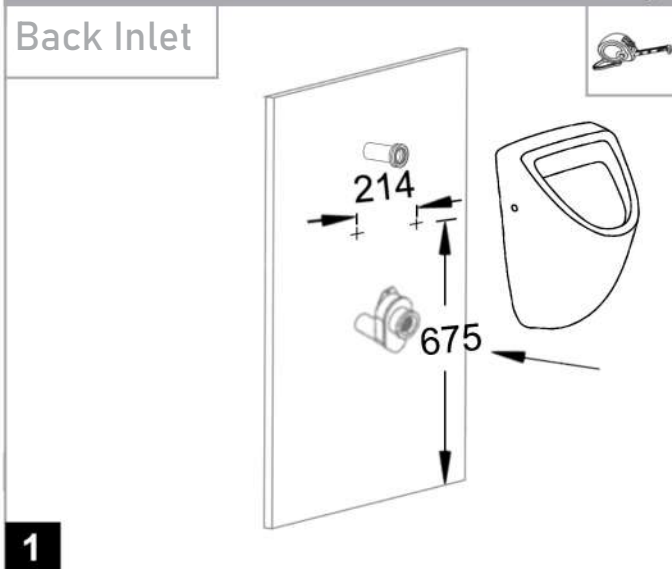
## Urinals

### Installation Instructions & User Guide





# Back Inlet





Top Inlet

